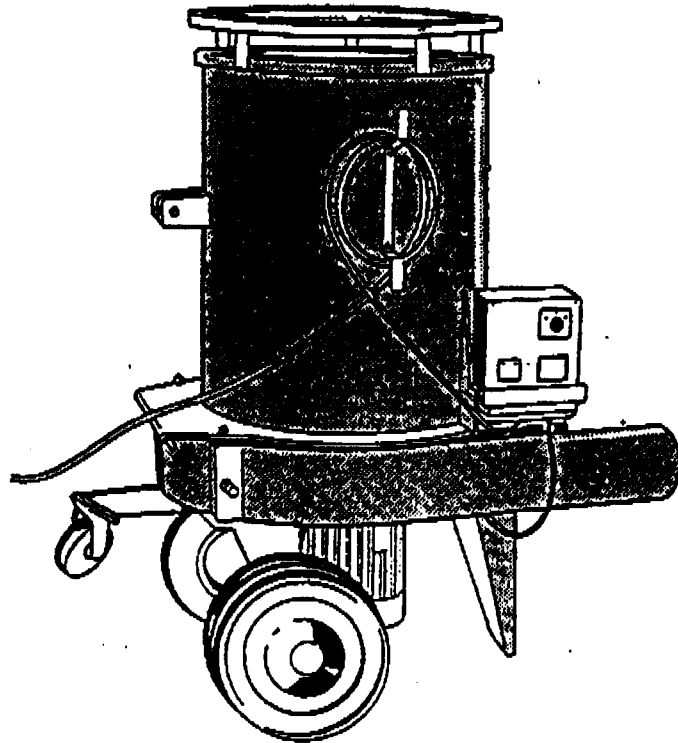




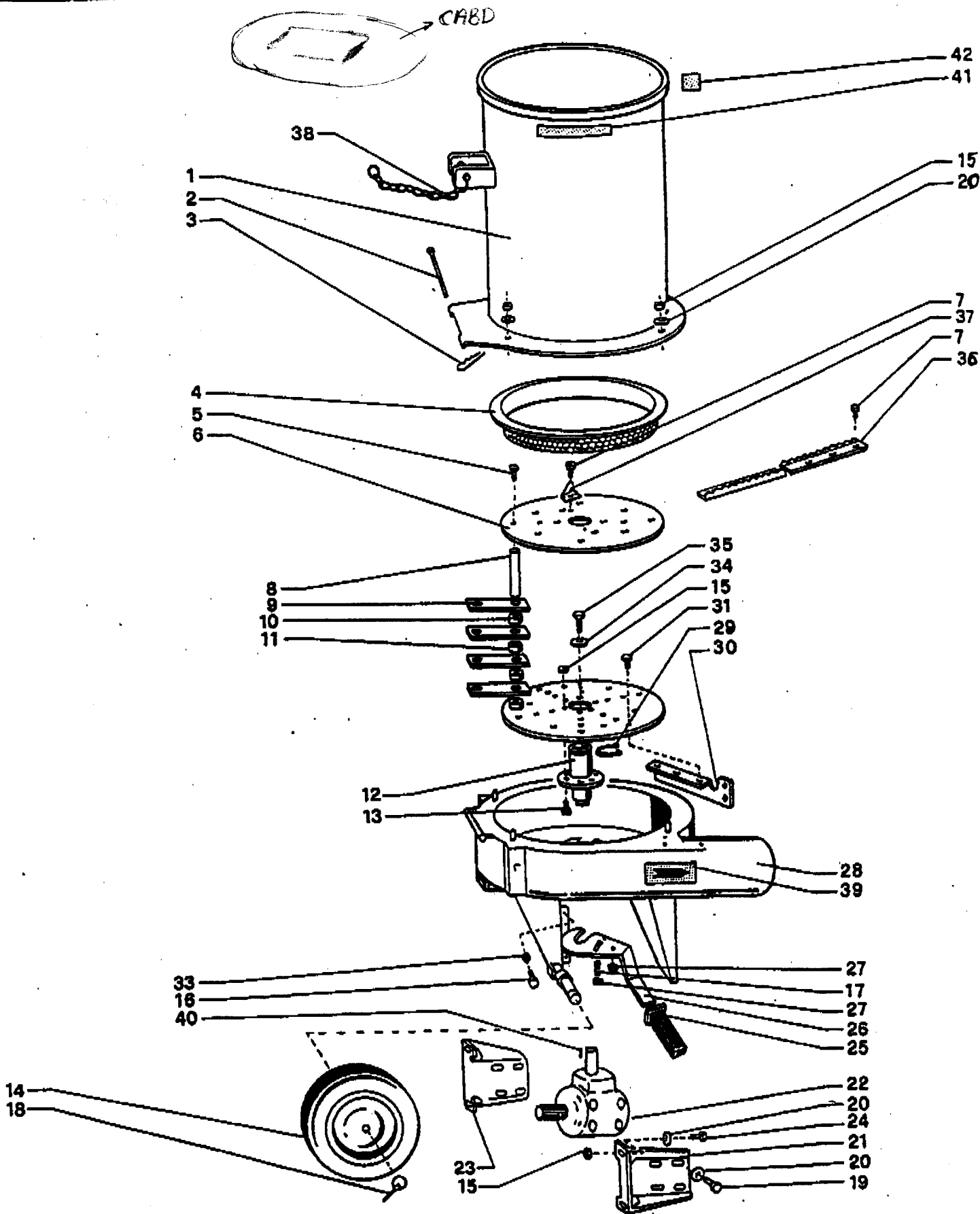
# CARAVAGGI

MACCHINE INDUSTRIALI

## STRAW & HAY CHOPPER TYPE TPF 15 E



Via Monte Adamello n. 20 - I - 25037 PONTOGLIO - BRESCIA  
Tel. 030/7470464 - Fax 030/7470004

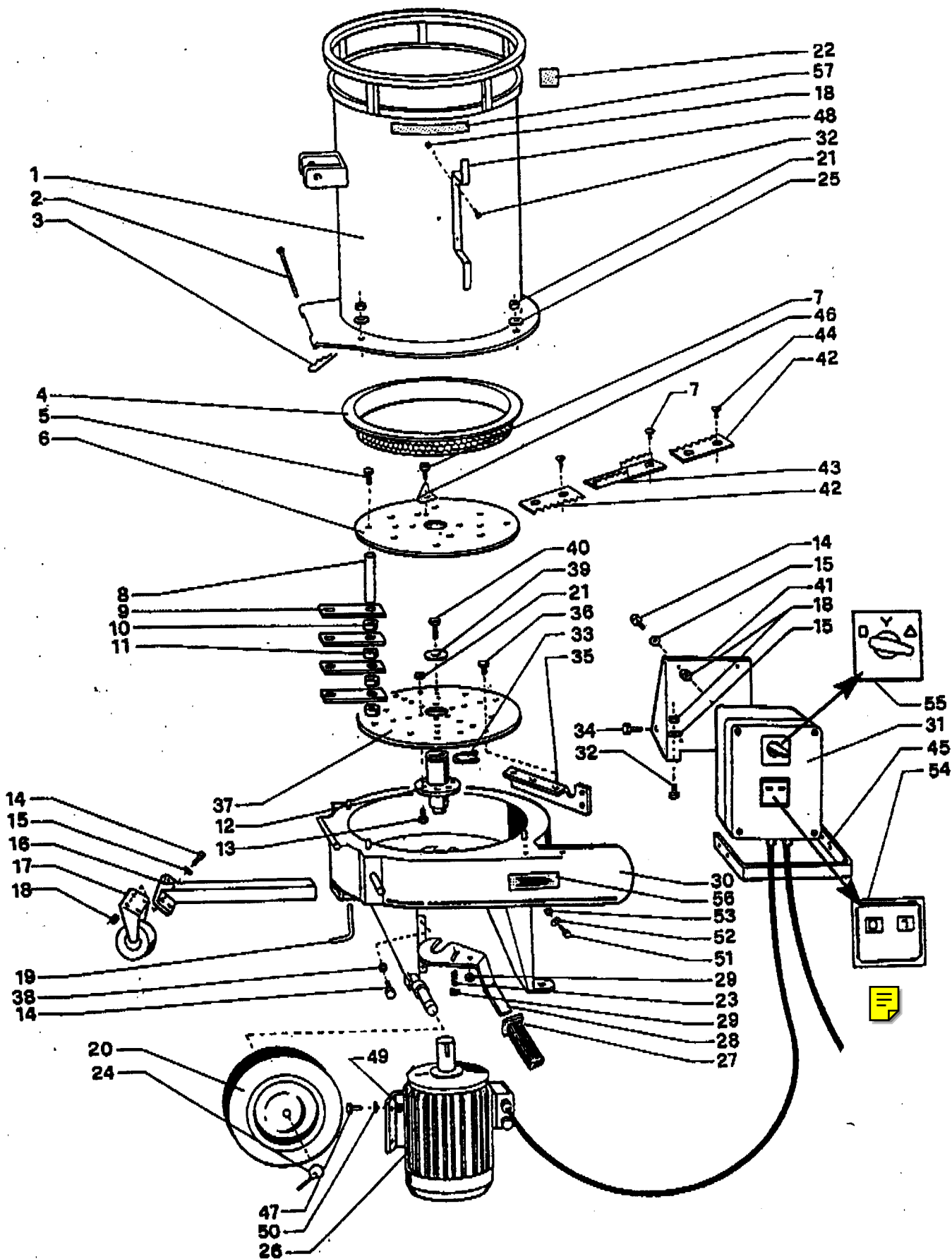


# HAY CHOPPER TYPE TPF 15T

TABLE 1/90

NO	DESCRIPTION	QTY	CODE
1	BALE HOPPER	1	030110000
2	HINGE PIN	1	030120000
3	LYNCH PIN 4.5 mm	1	050450000
4	SCREEN	1	030210000
5	BOLT TE M12X20	12	500030012
6	TOP DISC	1	030310000
7	BOLT TBEI M10X16	1	500816010
8	KNIFE LOCATING PIN	8	030320000
9	CUTTING KNIFE	6	030330000
10	DISTANCE PIECE H. 5	24	030340000
11	DISTANCE PIECE H. 3	42	030350000
12	CENTRE BOSS	30	030380000
13	BOLT TE M12X35	1	500035012
14	WHEEL	6	030410000
15	LOCKNUT M12	2	520003012
16	BOLT TE M8X20	14	500014008
17	SPRING	4	030510000
18	LYNCH PIN 9. mm	1	050900000
19	BOLT TE M12X20	2	500030012
20	FLAT WASHER	8	510010012
21	GEAR BOX SUPPORT RX	16	030620000
22	GEAR BOX	1	030600000
23	GEAR BOX SUPPORT LX	1	030640000
24	BOLT TE M12X30	1	500010012
25	RUBBER HANDLE	4	050250000
26	AIR CONTROL LEVER	1	030780000
27	LOCKNUT M10	1	520002010
28	FRAME	2	030010000
29	CLIP	1	510009070
30	FAN BLADE	1	030360000
31	BOLT TE M10X20	6	500030010
32	LOWER DISC	18	030370000
33	NUT M8	1	500000008
34	SPECIAL WASHER 10X38X6	4	030610000
35	BOLT TE M14X30	1	500030014
36	PRIMARY SEPARATOR	1	030500000
37	STRING KNIFE	1	030550000
38	FTO GUARD CHAIN	4	030100000
39	ROTATION ADHESIVE	1	010900000
40	KEY	1	530008000
41	ADHESIVE	1	010500000
42	SERIAL NO ADHESIVE	1	011500000

Ø30 - 030210030  
 Ø40 - 030210040  
 Ø50 - 030210050  
 Ø60 - 030210060  
 70x100 - 030210070



<b>NO</b>	<b>DESCRIPTION</b>	<b>Q.TY</b>	<b>CODE</b>
1	HALE HOPPER	1	031010000
2	HINGE PIN	1	030120000
3	LYNCH PIN 4.5 mm	1	050450000
4	SCREEN	1	030210000
5	BOLT TE M12X20	12	500030012
6	TOP DISC	1	030310000
7	BOLT TBEI M10X16	4	500816010
8	KNIFE LOCATING PIN	6	030320000
9	CUTTING KNIFE	24	030330000
10	DISTANCE PIECE H. 5	42	030340000
11	DISTANCE PIECE H. 3	30	030350000
12	CENTRE BOSS	1	031330000
13	BOLT TE M12X35	6	500035012
14	BOLT TE M8X20	12	500020008
15	FLAT WASHER	12	510005009
16	WHEEL SUPPORT BRANKET	1	031400000
17	CASTER WHEEL	1	051400000
18	LOCKNUT	13	520002008
19	BOLT M10	1	011000000
20	WHEEL	2	030410000
21	LOCKNUT M12	10	520003012
22	ADHESIVE	1	011500000
23	SPRING	1	030510000
24	LYNCH PIN	2	050900000
25	FLAT WASHER	4	510010012
26	ELECTRIC MOTOR	1	031000000
27	RUBBER HANDLE	1	050250000
28	AIR CONTROL LEVER	1	030760000
29	LOCKNUT	2	520002010
30	FRAME	1	031110000
31	ELECTRIC STARTER SWITCH	1	032000000
32	BOLT TBEI M8X16	4	500816008
33	CLIP	1	510009070
34	BOLT TE M8X12	4	500012008
35	FAN BLADE	6	030360000
36	BOLT TE M10X20	18	500020010
37	LOWER DISC	1	030370000
38	NUT M8	4	500000008
39	SPECIAL WASHER 10X38X8	1	031610000
40	BOLT TE M10X30	1	500030010
41	SWITCH SUPPORT	1	032010000
42	PRIMARY SEPARATOR EXTER	2	031500000
43	PRIMARY SEPARATOR CENTRAL	1	032500000
44	BOLT TSEI M10X15	4	500515010
45	SWITCH STRAP	1	033010000
46	STRING KNIFE	4	030550000
47	BOLT TE M12X45	4	500045014
48	WIRE CARRIER	1	031020000
49	LOCKNUT M12	4	520002014
50	PLAIN WASHER D. 13	4	510014000
51	BOLT TCTC M6X30	1	530030006
52	PLASTIC WIRE CLIP	1	050140000
53	LOCKNUT M6	1	520002006
54	PUSH BUTTON	1	031040000
55	CUTOUT SWITCH	1	031050000
56	ADHESIVE ROTATION	1	010900000
57	ADHESIVE	1	010500000